

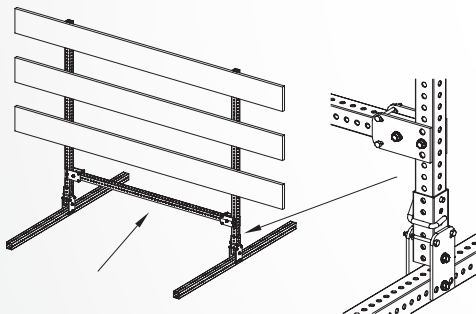
TELESPAR[®] TYPE III BARRICADE



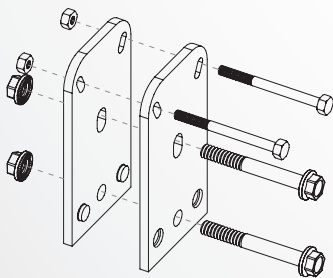
What is Telespar?

The Telespar system consists of square perforated, welded steel tubing with knockouts on all four sides. The tubing is produced via a unique manufacturing method that permits tubular sections of different sizes to telescope into the next larger size. It is complemented by a variety of compatible fittings, accessories, nuts, bolts and simple installation tools.

This engineered system of integrated parts enables you to mount signs back-to-back and on adjacent sides. It is designed to make adjustment, reinforcement and splicing fast and easy. The square shape provides superior wind load capabilities and torsional stability.



Optional Horizontal Brace



Barricade Assembly Guidelines

- Required hardware for each connecting point:
- TL132-Z Shear Pin Barricade Plate (2ea)
- 3/8-16x3 grade 8 flange bolt and serrated flange nut (2ea)
- 1/4-20x3 grade 2 hex hd shear bolt and hex nut (2ea)

Safety Features

- FHWA/NCHRP 350 approved
- Temporary, yet crashworthy
- Yielding breakaway
- Minimal damage to impacting vehicle
- Reusable after collision

Easy to Use

- Easily stored, transported and installed
- Legs are detachable
- No welding required

