

# SAFETY YELLOW TRAFFIC POST



## Telespar® Round Traffic Post & Wedge Anchors

The Wedge-Anchor System offers a simple, cost effective sign post anchor system. It is installed flush with the ground, which prevents damage to the socket system and the vehicle upon impact.

### Complete Wedge Anchor Post and Socket Assemblies

Outside Diameter/Guage	Post Wall Thickness (in)	Post Weight (lb/ft)
2.375" x 10	.134	3.2101
2.375" x 12	.109	2.6404
2.375" x 13	.095	2.3155
2.375" x 14	.083	2.0336
2.375" x 16	.065	1.6051
2.875" x 12*	.109	3.1444
2.875" x 10	.134	3.9264

\*Used for Anchors

Available in: Clear Coat · High Visibility Yellow  
Interstate Green · National Park Brown  
Transit Black · White

### Traffic Post

Galvanized 2 3/8" O.D. traffic post available in several wall thicknesses



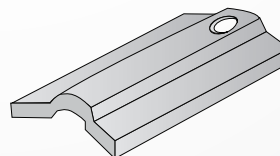
### Tubular Socks

2 7/8" O.D. x 27" long, 12 Ga. wall thickness



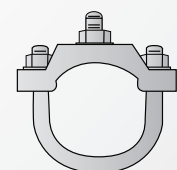
### Wedge

Locks traffic post into socket



### Sign Bracket

Posts may be ordered with sign brackets or with pre-punched 15-hole pattern



For more info visit [atkore.com/atcm](http://atkore.com/atcm) 

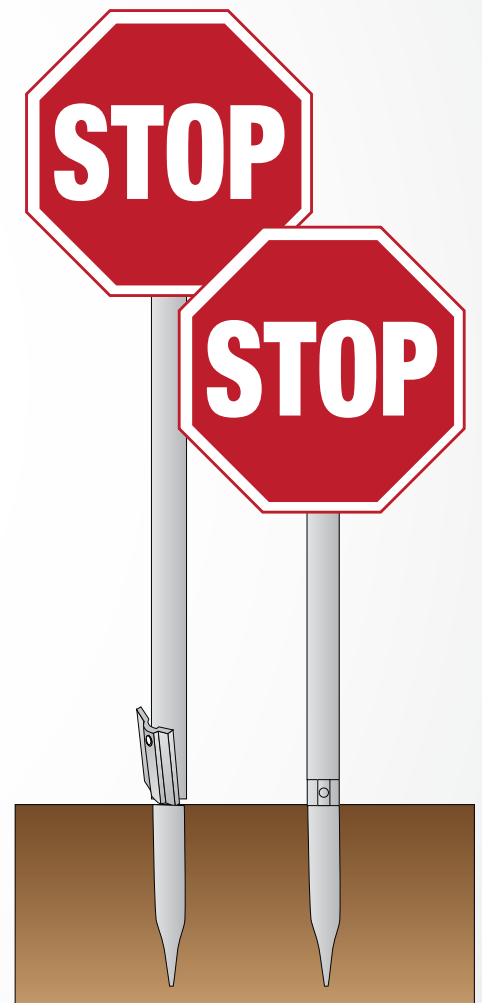
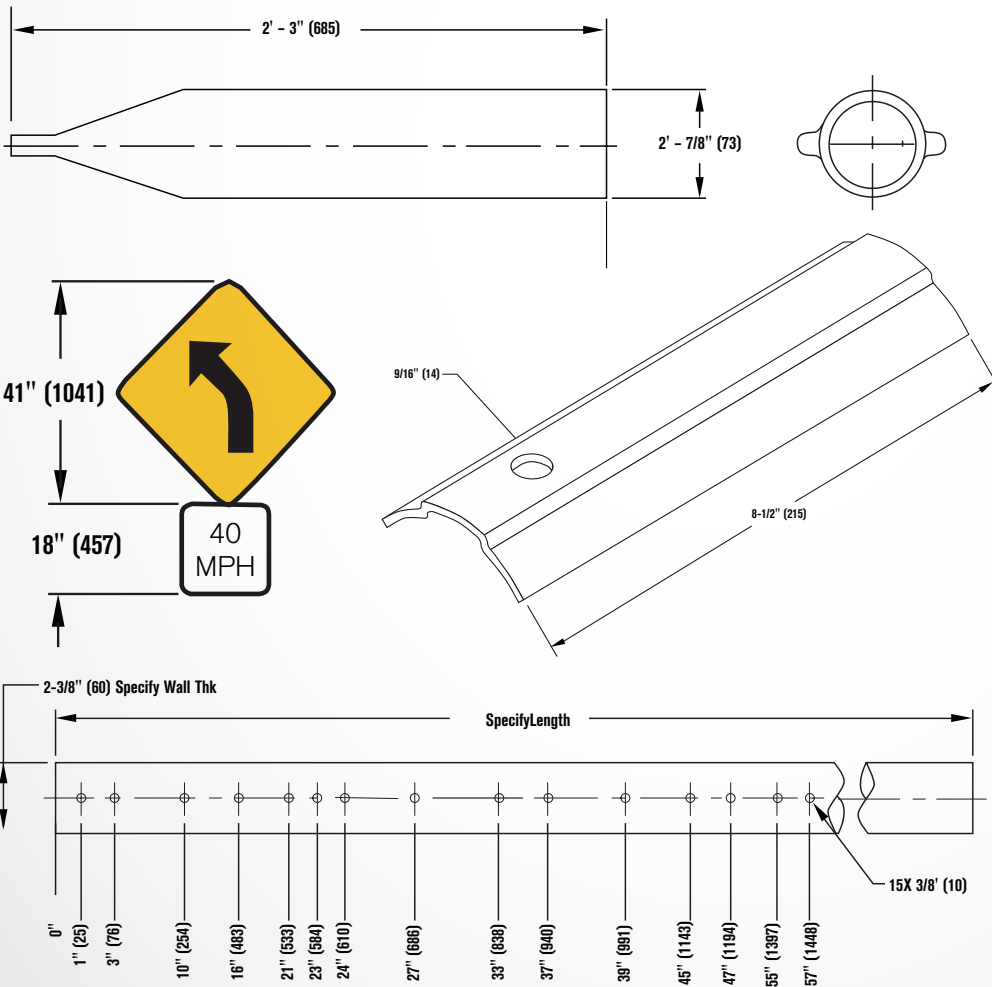
# Galvanized & Powder Coated Traffic Posts

## Coatings Available

- Clear Coat - FloCoat®  
0.6oz/ft<sup>2</sup> or G210  
Pre-Galvanized
- High Visibility Yellow
- Interstate Green
- National Park Brown
- Transit Black
- White

## Allied Traffic Posts Have the Following Characteristics and Properties

1. Finished Tubing: In accordance with ASTM A 500.
2. Exterior Coatings: In accordance with ASTM A787, Type 3 or A653 G210.
  - 2.1 In-line hot-dip galvanized to a minimum coating zinc weight of 0.6 oz/ft.<sup>2</sup>
  - 2.2 Conversion coating applied over the galvanized finish to provide additional corrosion protection.
  - 2.3 Clear organic polymer applied as the top surface coat to enhance the tubing's appearance, retard oxidation and provide a primer base for further painting or powder coating processes.
3. Interior Coating: Full zinc based organic coating applied to 100% of the interior surface for corrosion protection or A653 G210.
4. Dimensions: Posts are 2.375" ± 0.015" in outside diameter; wall thickness 16 gauge (0.065"). (14 GA) (13 GA) (12 GA) (10 GA)
5. Mechanical Properties: 50,000 psi minimum yield strength; 55,000 psi minimum tensile strength; 20% minimum elongation in 2 inches.



**Note:** The hole at 55" (1397) facilitates the installation of a standard 30degree curve sign and an 18" (457) advisory speed warning.